



宏钰电子（嘉善）有限公司  
HONGYU ELECTRICAL (JIASHAN) CO.,LTD.

Add:No,69 Jinxiu Road East City Development Zone,  
Jiashan,Zhejiang,China  
Tel:86 573 84062088 , 84062188  
Fax:86 573 84062898  
http://www.hongyuzj.com  
E-mail:henry@hongyuzj.com

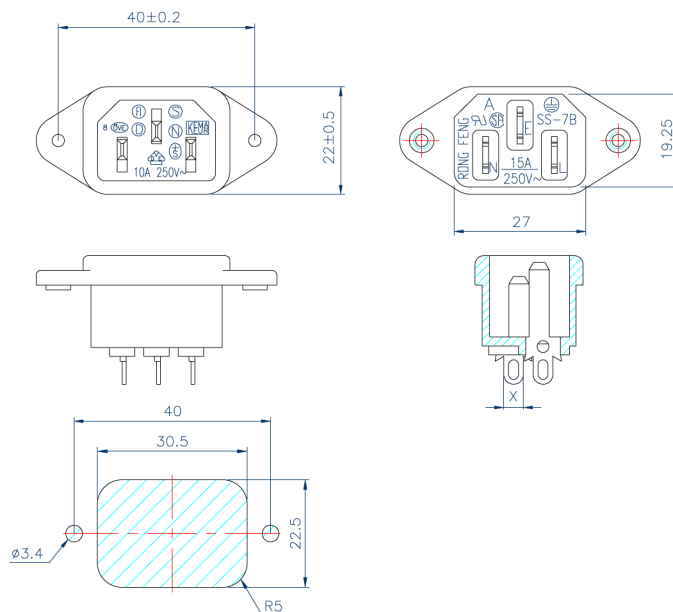
## AC SOCKET



## SS-7B-VDE-NUT

STANDARD :IEC 320 C14  
RATING :15A250V AC  
APPROVALS :UL/CSA  
RATING :10A 250V AC  
APPROVALS :VDE/DEMKO/NAMKO/  
SEV/SEMKO/FIMKO/KEMA/CCEE

	X		MODE
SS-7B-VDE-	4.8	-NUT	
	4.0		



Mounting inlet flange at back of cover.