



宏钰电子（嘉善）有限公司  
HONGYU ELECTRICAL (JIASHAN) CO.,LTD.

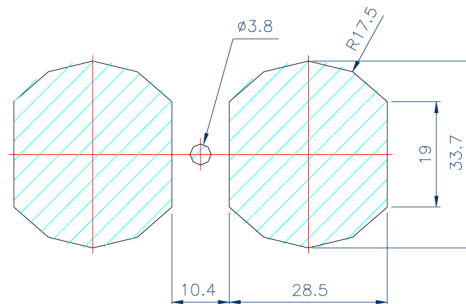
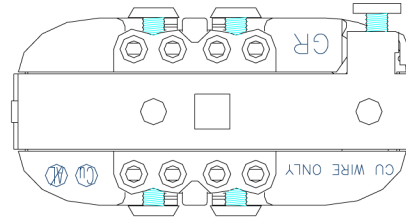
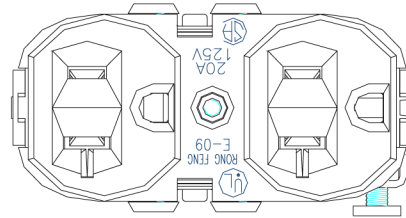
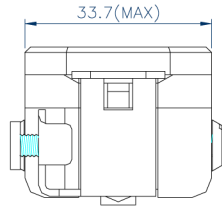
Add:No,69 Jinxiu Road East City Development Zone,  
Jiashan,Zhejiang,China  
Tel:86 573 84062088 , 84062188  
Fax:86 57384062898  
http://www.hongyuzj.com  
E-mail:henry@hongyuzj.com

## RECEPTACLES SYSTEM



### E-09-A8

STANDARD :UL498 5-20R  
RATING :20A125V AC  
APPROVALS :UL/CSA



Panel cut-out